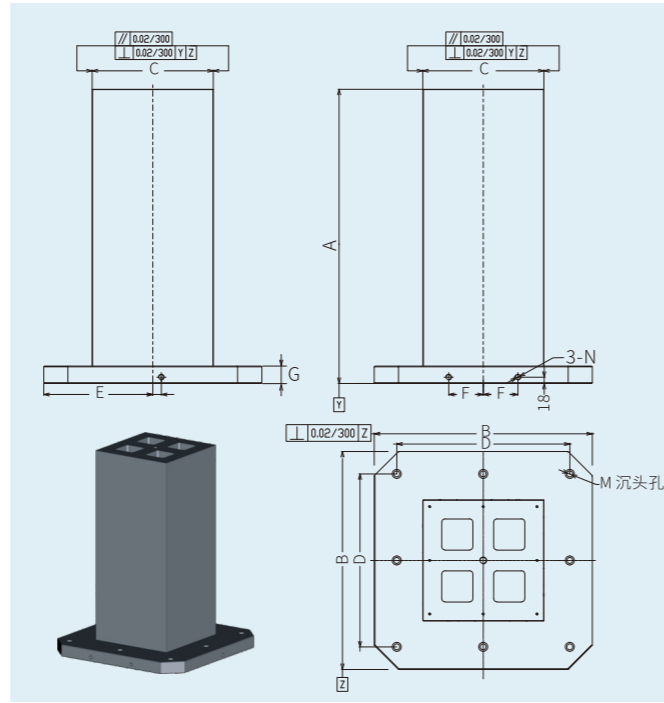


3A-130001 MC四面基座
MC square tooling column

- ▶ 材质 FC30
- ▶ 热处理 烧钝
- ▶ 用途 适用于卧式MC
- ▶ 特点 可依实际需要，自行钻孔加工制作专用治具

- ▶ Block material FC30
- ▶ Heat treatment Bright Annealing
- ▶ Function Suitable for horizontal machining centre
- ▶ Features According to actual needs, you can make special fixtures by drilling and processing by yourself

规格型号	A	B	C	D	E	F	G	M	N	Mounting holes	kg
3A-130001-300300-0500	500	300	150	250	150	40	50	M12	M12	4	96
3A-130001-400400-0500	500	400	250	320	200	55	50	M16	M16	4	153
3A-130001-400400-0650	650	400	250	320	200	55	50	M16	M16	4	218
3A-130001-500500-0600	600	500	300	400	250	75	50	M16	M16	8	250
3A-130001-500500-0750	750	500	300	400	250	75	50	M16	M16	8	335
3A-130001-630630-0700	700	630	350	500	315	100	50	M16	M16	8	361
3A-130001-630630-0850	850	630	350	500	315	100	50	M16	M16	8	496
3A-130001-800800-0800	800	800	500	640	400	135	50	M16	M16	8	700
3A-130001-800800-1000	1000	800	500	640	400	135	50	M16	M16	8	859

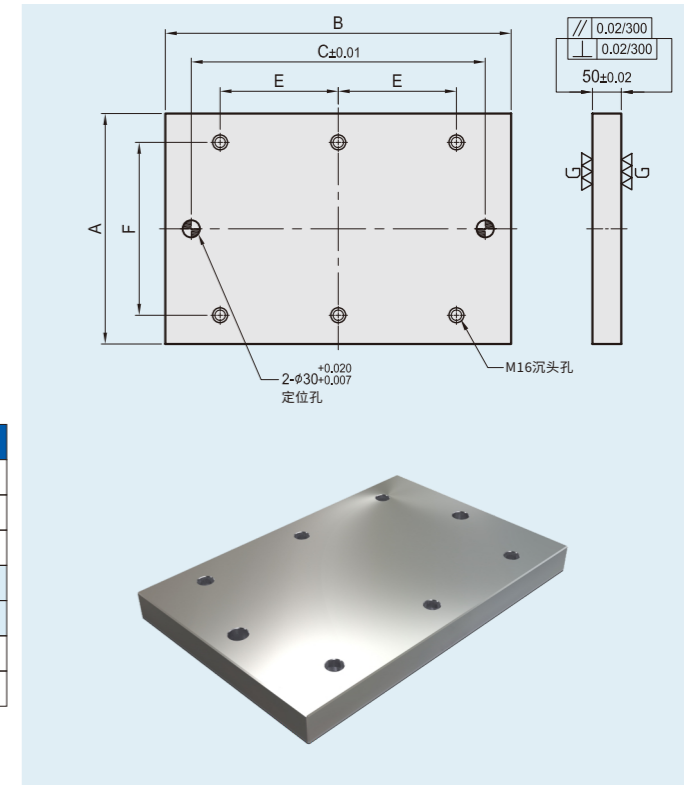


3A-130003 MC基板
MC substrate

- ▶ 材质 FC30
- ▶ 热处理 烧钝
- ▶ 用途 适用于立式MC
- ▶ 特点 可依实际需要，自行钻孔加工制作专用治具。

- ▶ Block material FC30
- ▶ Heat treatment Bright Annealing
- ▶ Function Suitable for vertical MC
- ▶ Features According to actual needs, you can drill and process by yourself to make special fixtures.

规格型号	A	B	C	E	F	kg
3A-130003-50400-0600	400	600	-	-	-	88
3A-130003-50400-0600	500					106
3A-130003-50400-0600	600					127
3A-130003-50400-0800	400	800	-	-	-	113
3A-130003-50400-0900	450	900	-	-	-	142
3A-130003-50400-1000	500	1000	-	-	-	176
3A-130003-50400-1200	600	1200	-	-	-	256



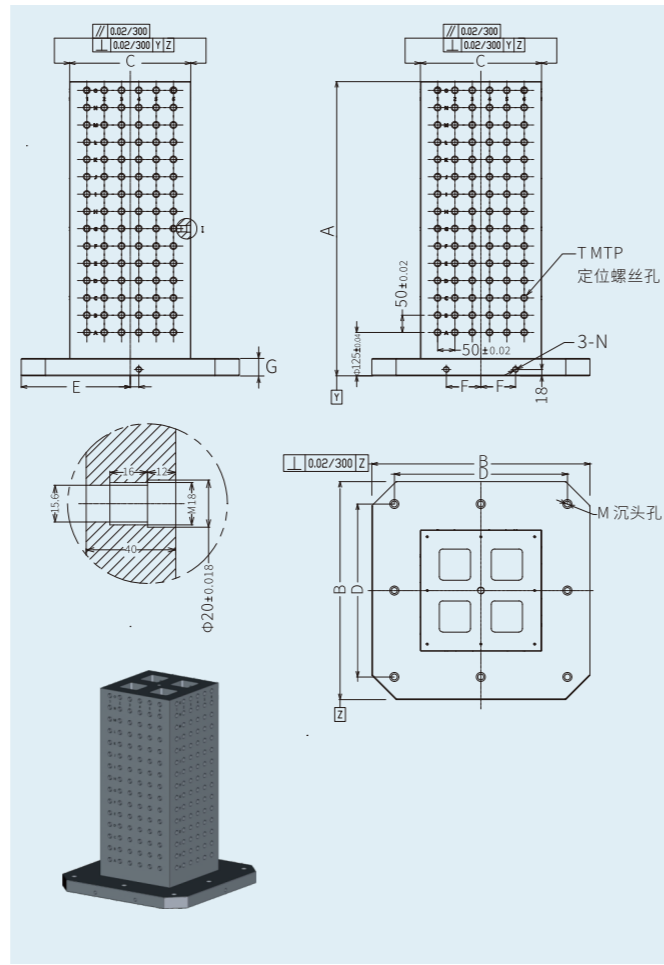
3A-130002 MC四面基座
MC square tooling column

- ▶ 材质 FC30
- ▶ 热处理 烧钝
- ▶ 用途 适用于卧式MC
- ▶ 特点 以孔定位方式，利用标准化治具零件可快速组立完成一套符合需求的治具

- ▶ Block material FC30
- ▶ Heat treatment Bright Annealing
- ▶ Function Suitable for horizontal machining centre
- ▶ Features By hole positioning, using standardized fixture parts A set of fixtures that meet your needs can be quickly assembled

规格型号	A	B	C	D	E	F	G	T	M	N	MTP	Mounting holes	kg	
3A-130002-300300-0500-12	500	300	150	250	150	40	50	Φ12	M12	M12	M12	64	4	96
3A-130002-400400-0500-12	500	400	250	320	200	55	50	Φ12	M12	M16	M16	128	4	149
3A-130002-400400-0650-12	650	400	250	320	200	55	50	Φ12	M12	M16	M16	176	4	218
3A-130002-500500-0600-12	600	500	300	400	250	75	50	Φ12	M12	M16	M16	200	8	243
3A-130002-500500-0750-12	750	500	300	400	250	75	50	Φ12	M12	M16	M16	260	8	335
3A-130002-630630-0700-12	700	630	350	500	315	100	50	Φ12	M12	M16	M16	288	8	360
3A-130002-630630-0850-12	850	630	350	500	315	100	50	Φ12	M12	M16	M16	360	8	496
3A-130002-800800-0800-12	800	800	500	640	400	135	50	Φ12	M12	M16	M16	504	8	635
3A-130002-800800-1000-12	1000	800	500	640	400	135	50	Φ12	M12	M16	M16	648	8	859

规格型号	A	B	C	D	E	F	G	T	M	N	MTP	Mounting holes	kg	
3A-130002-300300-0500-16	500	300	150	250	150	40	50	Φ16	M16	M12	M12	64	4	96
3A-130002-300300-0500-16	500	400	250	320	200	55	50	Φ16	M16	M16	M16	128	4	148
3A-130002-300300-0500-16	650	400	250	320	200	55	50	Φ16	M16	M16	M16	176	4	218
3A-130002-300300-0500-16	600	500	300	400	250	75	50	Φ16	M16	M16	M16	200	8	234
3A-130002-300300-0500-16	750	500	300	400	250	75	50	Φ16	M16	M16	M16	260	8	335
3A-130002-300300-0500-16	700	630	350	500	315	100	50	Φ16	M16	M16	M16	288	8	360
3A-130002-300300-0500-16	850	630	350	500	315	100	50	Φ16	M16	M16	M16	360	8	496
3A-130002-300300-0500-16	800	800	500	640	400	135	50	Φ16	M16	M16	M16	504	8	655
3A-130002-300300-0500-16	1000	800	500	640	400	135	50	Φ16	M16	M16	M16	648	8	859

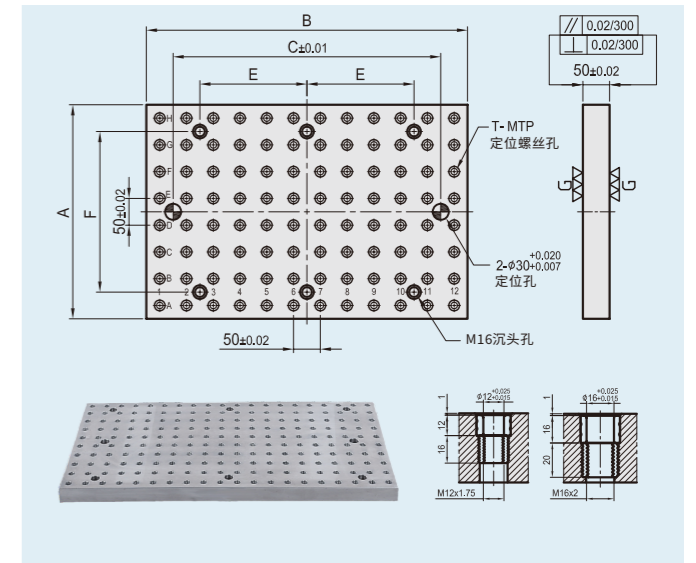


3A-130004 MC基板
MC substrate

- ▶ 材质 FC30
- ▶ 热处理 烧钝
- ▶ 用途 适用于立式MC
- ▶ 特点 以孔定位方式，利用标准化治具零件，可快速组立完成一套符合需求之治具。

- ▶ Block material FC30
- ▶ Heat treatment Bright Annealing
- ▶ Function Suitable for vertical MC
- ▶ Features By hole positioning, using standardized fixture parts a set of fixtures that meet the needs can be quickly assembled.

规格型号	A	B	C	E	F	T	MTP	kg
3A-130004-50400-0600-12	400	600	-	-	-	Φ12	M12	96 90
3A-130004-50500-0600-12	500					120 112		
3A-130004-50600-0600-12	600					144 134		
3A-130004-50400-0800-12	400	800	-	-	-	Φ12	M12	128 109
3A-130004-50450-0900-12	450	900	-	-	-	Φ12	M12	158 138
3A-130004-50500-1000-12	500	1000	-	-	-	Φ12	M12	200 165
3A-130004-50600-1200-12	600	1200	-	-	-	Φ12	M12	288 244



规格型号	A	B	C	E	F	T	MTP	kg
3A-130004-50400-0600-16	400	600	-	-	-	Φ16	M16	96 89
3A-130004-50500-0600-16	500					120 108		
3A-130004-50600-0600-16	600					144 120		
3A-130004-50400-0800-16	400	800	-	-	-	Φ16	M16	128 108
3A-130004-50450-0900-16	450	900	-	-	-	Φ16	M16	158 134
3A-130004-50500-1000-16	500	1000	-	-	-	Φ16	M16	200 164
3A-130004-50600-1200-16	600	1200	-	-	-	Φ16	M16	288 240